

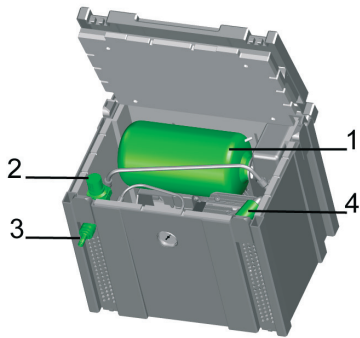
Silent Air System SAS



This supplementary sheet is an addition to the operating manual (9000-607-39) and contains all the information required for safe handling. The operating manual applies only to the version of the unit described here.



1 Delivery Contents



The Silent Air System (hereafter called "unit") is ready-to-plug-in compressor station which is operated with sound insulation in an actively ventilated housing.

The unit consists of the following components:

- 3-liter pressurer receiver (1)
- Starting-relief valve
- Control gear with safety valve, check valve and pressure switch
- Automatical condensate-drain valve
- Pressure reducer (2) for adjusting the operating pressure
- Quick-release coupling with plug-in nozzle (3)
- Fan
- Suction filter (4)

2 Working parts and spare parts



For spare parts not listed here, please enquire at Dürr Technik.

The following spare parts must be replaced regularly (see 7.1 Changing the filter)

Suction filter 0837-001-02



3 Technical data

3.1 Technical Data SAS 230 V

		SAS- 025 / 0654 1000	SAS-038 / 0654 2000	SAS-062 / 0654 3000
Delivery volume at 5 bar (0.5 MPa)	l/min	20	26	50
Nominal pressure	bar / MPa	7 / 0,7	7 / 0,7	7 / 0,7
Maximum permissible operating pressure	bar / MPa	8 / 0,8	8 / 0,8	8 / 0,8
Voltage	V	230	230	230
Mains frequency	Hz	50 / 60	50 / 60	50
Current consumption (50 / 60 Hz)	A	1,0 / 1,2	1,5 / 1,5	2
Rated power (50 / 60 Hz)	P1 (kW)	0,22 / 0,27	0,3 / 0,34	0,44
Speed (50 / 60 Hz)	min ⁻¹	1400 / 1600	1300 / 1500	1390
Duty cycle	%	100	100	100
Mains fusing	A	2	2	2,5
IP class	IP	20	20	20
Sound pressure level (at 7bar nominal pressure)	dB (A)	48	49	50
Weight	kg	15	17	21
Dimensions* (W x D x H)	mm	400 x 340 x 320	400 x 340 x 320	400 x 340 x 320

*Dimensions without quick-release coupling and hose nozzle

3.2 Technical Data SAS 115 V

		SAS-062 / 0654 5000	SAS-038 / 0654 6000
Delivery volume at 5 bar (0.5 MPa)	l/min	58	40
Nominal pressure	bar / MPa	7 / 0,7	7 / 0,7
Maximum permissible operating pressure	bar / MPa	8 / 0,8	8 / 0,8
Voltage	V	115	115
Mains frequency	Hz	60	60
Current consumption	A	4,8	3,2
Rated power	P1 (kW)	0,53	0,33
Speed	min ⁻¹	1620	1630
Duty cycle	%	100	100
Mains fusing	A	8	8
IP class	IP	20	20
Sound pressure level (at 7bar nominal pressure)	dB (A)	53	52
Weight	kg	21	17
Dimensions* (W x D x H)	mm	400 x 340 x 320	400 x 340 x 320

*Dimensions without quick-release coupling and hose nozzle



As our products are constantly being updated, there may be changes to the technical data. Should you use this operating manual for planning, please check the current technical data and dimensions with us.

4 Transport

The unit has a transport handle. Alternatively, a transport trolley (0654 0550) is available as an accessory, which allows the user to transport the unit even more conveniently.



5 Set-up

The unit must only be operated on a firm and level surface. It must not be used as a climbing aid (risk of breakage). The transport trolley is not suitable for operating the unit on it. A drip pan must be placed underneath the black hose at the side of the unit to collect any condensate which is blown out.



NOTICE

Do not cover the ventilation openings

The unit may overheat due to insufficient cooling

- Do not cover the ventilation openings on the front and rear sides.
- The front and rear sides of the unit must have a minimum clearance of 15 cm from other surfaces.



WARNING

Do not reach into the fan grille with your fingers or any objects

Risk of injury from fan blades.

6 Operation

6.1 Establish electrical connection

- Check that the voltage and mains frequency agrees with voltage specified on the type plate.
- Connect the unit to a protective contact socket that has been properly installed.
- Lay the cables so that they are protected from mechanical damage (e.g. from sharp edges, crushing or hot surfaces).
- The unit's On/Off switch has an integrated contact breaker which switches off in the event of excess current.

6.2 Pressure reducer adjustment



WARNING

The surfaces of the compressor become hot during operation

Risk of burns from hot surfaces

- Allow the compressor to cool down.
- Do not touch hot surfaces.



The unit has been pre-set ex-works to an operating pressure of 5 bar. If a different operating pressure is necessary, make the adjustment using the pressure reducer.

- Pull the snap fasteners for unlocking the cover slightly forward.
- Open the cover.
- Adjust the pressure reducer with the compressor running, as described in the operating manual 9000-607-39.

6.3 Set up compressed air connection

The unit has a quick-release coupling (NW 7.2) on the outside. The hose nozzle to fit QRC 9 mm is included in the scope of delivery.

7 Maintenance

7.1 Changing the filter



The interval for changing the filter inserts depends essentially on the concentration of dust in the air. Regular filter changes ensure service capability and a continuing supply for high-quality compressed air, and increase the service life of the compressor. We recommend that the suction filter should be changed once a year (with high dust concentration twice a year)

- Change the filter according to the operating manual 9000-607-39.
Further information regarding operation and maintenance see: <http://www.duerr-technik.eu/index.php/silent-air-system.html>

7.2 Checking the fan

Check the fan regularly for free running. If the fan is jammed, the unit must be taken out of operation. The fan always runs when the unit is switched on.

7.3 Cleaning

Only wipe the surface of the unit with a damp cloth. Cleaning agents may cause discolouration to the surface.